

## Questionnaire for Price Quotation for a Stationary Trash Rack Cleaner

### I. Contact Data

PROJECT NAME   
(please reference on all correspondence)

PROJECT SITE   
(location and country)

Contact name  Company

Address

ZIP code / City   Country

Phone  Mobile

E-mail  Web

Developer  Consulting Agency Name of Project Owner

### II. Status

Feasibility study  Contract pending; construction scheduled for:

Public tender Deadline for submitting an offer:

Construction of a new power plant  Modernisation of an existing plant

### III. Technical data

A Screen inclination  °

B Screen pedestal  mm

C Roof projection  mm

D Height of roof  mm

E Height of apron  mm

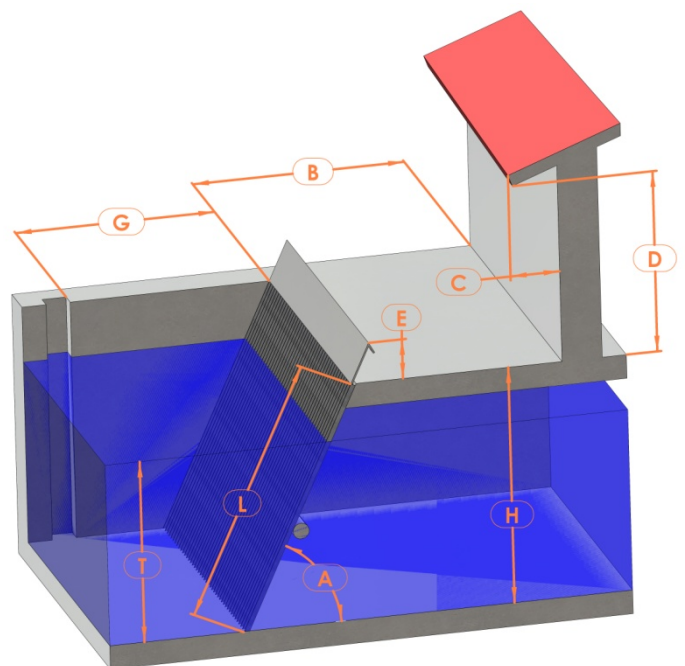
G Distance to gate  mm

H Height of pedestal  mm

L Screen length  mm

T Water depth min.  mm

max.  mm



Tension  V

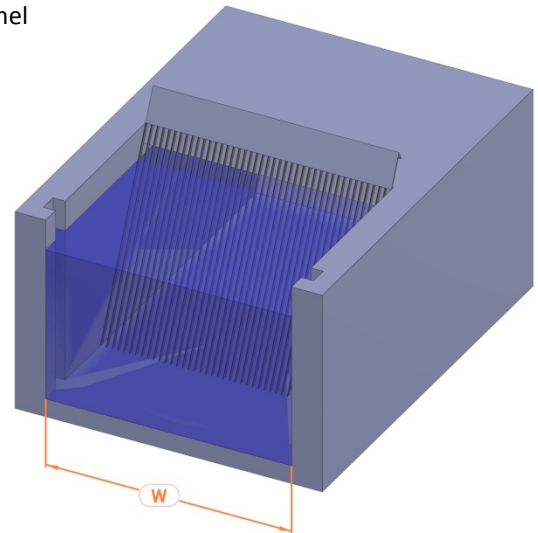
Frequency  Hz

Outside temperature between -10°C and +40°C  yes  no; temperature from  °C to  °C

Screening disposal  Conveyor  Wash-out channel

W Inlet width  mm

Spacing of screen bars  mm



IV. Comments

Date, place

Signature

**OSSBERGER GmbH + Co Otto-**  
 Rieder-Strasse 7  
 D-91781 Weißenburg  
 GERMANY  
 +49 (0) 91 41 / 9 77-0  
[info@ossberger.de](mailto:info@ossberger.de)  
[www.ossberger.de](http://www.ossberger.de)